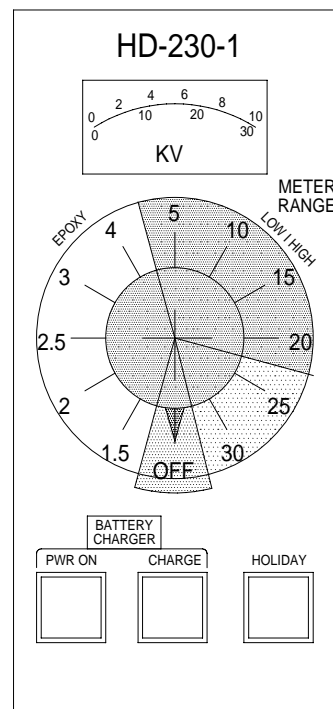




# Holiday Detector Data Sheet

## HD-230-1 Holiday Detector

- Electrically safe
- Wide output range 1.5-30kv
- Simple switched control
- Output voltmeter
- Audio and visual alarm
- Maintenance free batteries with integral charger
- Lightweight, rugged and weatherproof



The HD-230-1 Holiday Detector is a safe, rugged but lightweight instrument with a wide range of voltage output, 1.5 - 30kv, making it suitable for use with both thin film Epoxy Powder Coatings or with thicker Polyethylene or Reinforced Coal Tar and Bitumen Coatings.

A number of safety features are incorporated in the equipment to automatically cut off the output if either the probe or earth lead are disconnected. The probe is also fitted with a pressure sensitive switch which is actuated by the operator when in use. When not in use the pressure switch is released which switches off the output as an additional safety feature and to conserve battery life.

A single control switch combines battery test and voltage selection functions with a voltmeter providing continuous measurement of the output voltage.

### Pipeline Maintenance Limited

Cathodic Protection Engineering and Materials Supply  
11 & 12 Merlin Park, Mildenhall,  
Suffolk, IP28 7RD, UK  
Tel: +44 (0) 1638 711955  
Fax: +44 (0) 1638 711953

Data Sheet HDET01 Rev 01

Page No 1 of 2

email: sales@pipelinemaintenance.co.uk  
website: www.pipelinemaintenance.co.uk

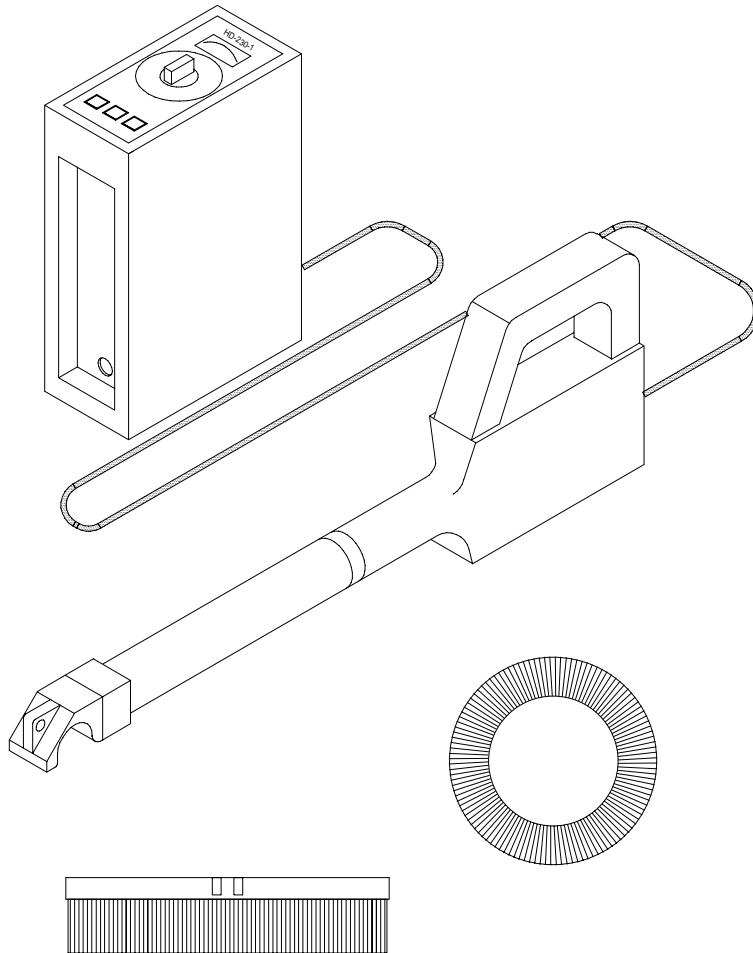


.Audio and visual alarms operate when a "Holiday" is detected.

The instrument's power source is a sealed "Maintenance free" Nickel Cadmium battery, recharged by an integral charger which is simply plugged into the mains. A battery check position is provided on the meter.

The battery capacity is sufficient for a full day's work of field inspection between recharges.

The probe carries the high voltage transformer and safety switch and is designed to accept both brush and rolling spring electrodes.



For details of Price and Delivery please contact **Pipeline Maintenance Limited** at the address shown below.

## Pipeline Maintenance Limited

Cathodic Protection Engineering and Materials Supply  
11 & 12 Merlin Park, Mildenhall,  
Suffolk, IP28 7RD, UK  
Tel: +44 (0) 1638 711955  
Fax: +44 (0) 1638 711953

Data Sheet HDET01 Rev 01

Page No 2 of 2

email: [sales@pipelinemaintenance.co.uk](mailto:sales@pipelinemaintenance.co.uk)  
website: [www.pipelinemaintenance.co.uk](http://www.pipelinemaintenance.co.uk)

